



VRM10.0 COMPLIANT PROGRAMMABLE FEEDBACK DIVIDER

FEATURES

- VRM 10.x VID Code Table
- 14-Pin TSSOP

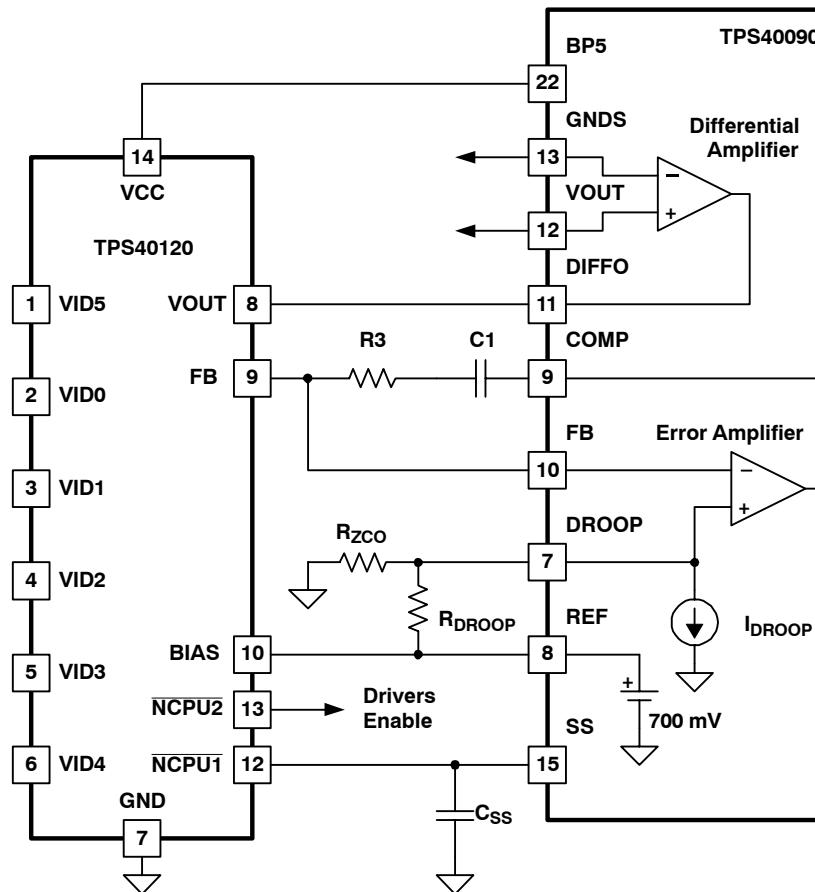
APPLICATIONS

- Voltage Regulator Modules VRM/EVRD 10.x
- Multiphase Processor Power Supplies

DESCRIPTION

The TPS40120 is a 6-bit digitally programmed feedback divider designed to work with TPS40090 multiphase controller or other controllers having 0.7-V internal reference to support VRM 10.x compliant power supplies. The TPS40120 is designed to support discrete DC/DC converters for Intel® processors using 5-bit (Pentium® 4 or Xeon™) or 6-bit VID codes with 12.5 mV steps.

TYPICAL APPLICATION



Please be aware that an important notice concerning availability, standard warranty, and use in critical applications of Texas Instruments semiconductor products and disclaimers thereto appears at the end of this data sheet.



These devices have limited built-in ESD protection. The leads should be shorted together or the device placed in conductive foam during storage or handling to prevent electrostatic damage to the MOSFET gates.

ORDERING INFORMATION

T_A	PLASTIC HTTSOP ⁽¹⁾
-40°C to 85°C	TPS40120PW

(1) The PW package is available taped and reeled. Add an R suffix to the device type (i.e. TPS40120PWR).

ABSOLUTE MAXIMUM RATING⁽¹⁾

over operating free-air temperature range unless otherwise noted

		TPS40120	UNITS
V_{IN}	Input voltage range	VID0, VID1, VID2, VID3, VID4, VID5, VOUT	-0.3 to 5.5 V
V_{OUT}	Output voltage range	FB, N _{CPU2}	-0.3 to 5.5 V
		VCC, N _{CPU1}	-0.3 to 7.0 V
T_A	Operating ambient temperature range		-40 to 85 °C
T_{stg}	Storage temperature		-55 to 150 °C

(1) Stresses beyond those listed under "absolute maximum ratings" may cause permanent damage to the device. These are stress ratings only, and functional operation of the device at these or any other conditions beyond those indicated under "recommended operating conditions" is not implied. Exposure to absolute-maximum-rated conditions for extended periods may affect device reliability. All voltage values are with respect to the network ground terminal unless otherwise noted.

RECOMMENDED OPERATING CONDITIONS

		MIN	NOM	MAX	UNIT
Supply voltage, VCC		4.3	5.0	5.5	V
I/O voltage range	VID0, VID1, VID2, VID3, VID4, VID5, VOUT	-0.1		5.5	
Operating free-air temperature, T_A		-40		85	°C

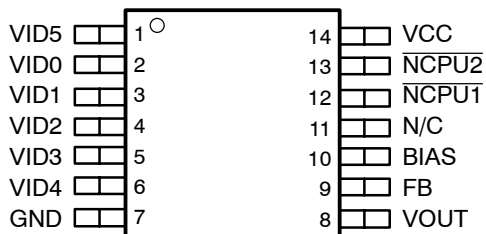
ELECTRICAL CHARACTERISTICS

over operating free-air temperature range (unless otherwise noted)

PARAMETER		TEST CONDITIONS	MIN	TYP	MAX	UNIT
V_{VCC}	Supply voltage		4.3	5.0	5.5	V
I_{VCC}	Supply current	All VID inputs low			1	mA
R_{FB}	Resistance between FB and OUT		7.5	10	14.5	kΩ
	Divider accuracy		-0.5%		0.5%	
VID_{THD}	VID input logic high		0.85			V
VID_{TLD}	VID input logic low				0.3	
I_{BIAS}	BIAS input leakage	$V_{BIAS} = 0.7 V$			100	μA
	Logic low voltage	$I_{PULLUP} = 1 mA$			0.8	V
	Logic high leakage current				1	μA
	No CPU output voltage	$I_{L(SNK)} = 0.5 mA, I_{L(SRC)} = 0.5 mA$	$V_{VSS} + 0.5$		$V_{VCC} - 0.5$	V

DEVICE INFORMATION

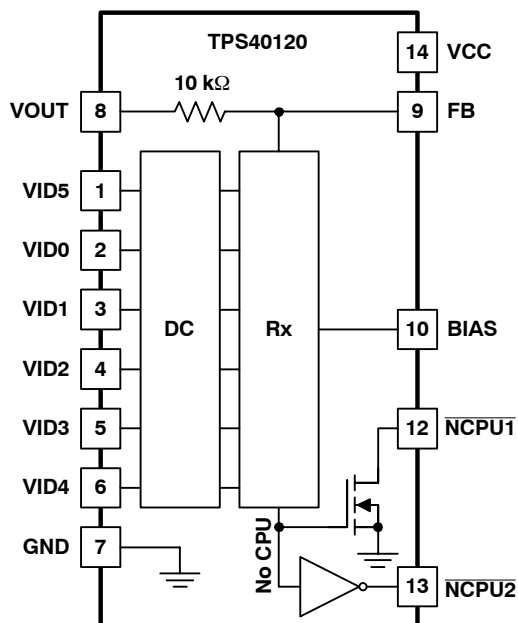
**PW PACKAGE
(TOP VIEW)**



TERMINAL FUNCTIONS

TERMINAL		I/O	DESCRIPTION
NAME	NO.		
BIAS	10	I	Provides controller's reference voltage into the divider for improved tolerance.
FB	9	O	Middle point of the feedback divider connected to the inverting input of the controller's error amplifier
GND	7	-	Signal ground pin.
$\overline{\text{NCPU1}}$	12	O	Signals no CPU state. VID = x11111. Open drain output.
$\overline{\text{NCPU2}}$	13	O	Signals no CPU state. VID = x11111. TTL logic output.
VCC	14	I	Power to the device.
VID0	2	I	Voltage identification inputs. V_{REF} voltage is set in accordance with VRM 10.x codes applied to these pins.
VID1	3	I	
VID2	4	I	
VID3	5	I	
VID4	6	I	
VID5	1	I	
VOUT	8	I	This pin is connected to the output of the VR module or to the output of the differential amplifier of the TPS40090 controller.

FUNCTIONAL BLOCK DIAGRAM



DETAILED DESCRIPTION

Operation

The digitally programmed feedback divider TPS40120 substitutes for a discrete output voltage set-divider and allows for multiphase PWM controllers such as the TPS4009x, TPS40130 and with internal reference of 0.7 V to provide voltage identification (VID) feature to power supply designs.

The TPS40120 operates as a resistive divider with constant value of the upper resistor and variable and code determined value of the lower resistor, refer to the functional block diagram. The VID code truth table is presented in Table 1.

Dynamic VID

Most modern processors adjust their core voltage depending on the workload and clock frequency by commanding voltage identification (VID) codes to the power supply. The power supply reads these VID codes and adjusts the output voltage in a control manner per processor requirements. To provide safe transition from one VID code to another (and to ensure that no erroneous output voltage is produced by the power supply), the TPS40120 VID inputs have internal anti-skew circuit with approximately 500 ns of filtering time. With a rate of change of 12.5 mV in 5 μ s, nothing else is required to achieve smooth upward and downward core voltage transitions. See Figure 1 and Figure 2.

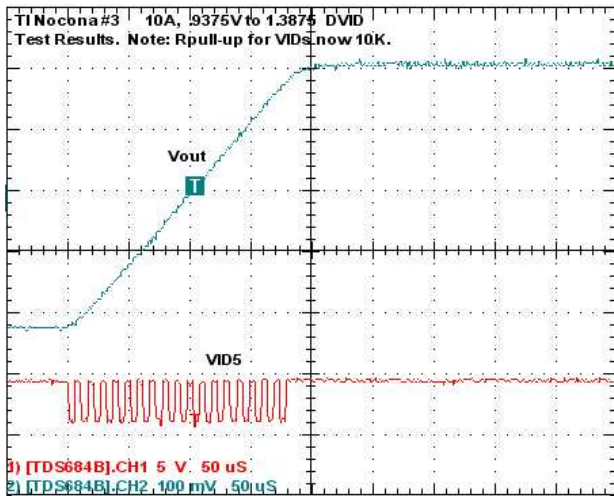


Figure 1. VID Step-Up Transition

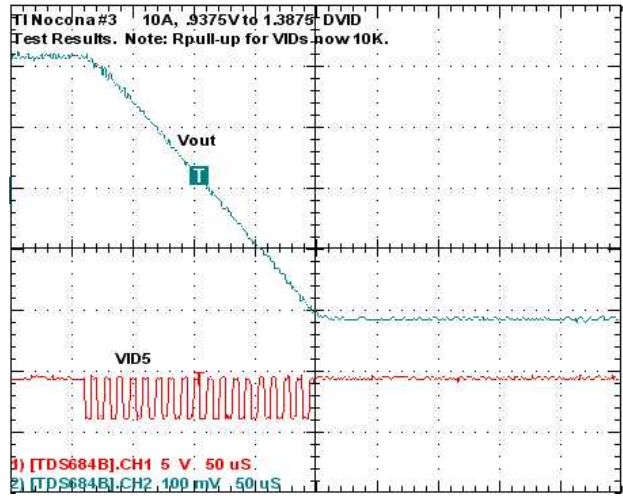


Figure 2. VID Step-Down Transition

DETAILED DESCRIPTION (continued)

Table 1. Voltage Identification (VID)

PROCESSOR PINS (0=LOW, 1=HIGH)						V _{REF} (V)
VID4	VID3	VID2	VID1	VID0	VID5	
0	1	0	1	0	0	0.8375
0	1	0	0	1	1	0.8500
0	1	0	0	1	0	0.8625
0	1	0	0	0	1	0.8750
0	1	0	0	0	0	0.8875
0	0	1	1	1	1	0.9000
0	0	1	1	1	0	0.9125
0	0	1	1	0	1	0.9250
0	0	1	1	0	0	0.9375
0	0	1	0	1	1	0.9500
0	0	1	0	1	0	0.9625
0	0	1	0	0	1	0.9750
0	0	1	0	0	0	0.9875
0	0	0	1	1	1	1.0000
0	0	0	1	1	0	1.0125
0	0	0	1	0	1	1.0250
0	0	0	1	0	0	1.0375
0	0	0	0	1	1	1.0500
0	0	0	0	1	0	1.0625
0	0	0	0	0	1	1.075
0	0	0	0	0	0	1.0875
1	1	1	1	1	1	OFF ⁽¹⁾
1	1	1	1	1	0	OFF ⁽¹⁾
1	1	1	1	0	1	1.1000
1	1	1	1	0	0	1.1125
1	1	1	0	1	1	1.1250
1	1	1	0	1	0	1.1375
1	1	1	0	0	1	1.1500
1	1	1	0	0	0	1.1625
1	1	0	1	1	1	1.1750
1	1	0	1	1	0	1.1875
1	1	0	1	0	1	1.2000
1	1	0	1	0	0	1.2125
1	1	0	0	1	1	1.2250
1	1	0	0	1	0	1.2375
1	1	0	0	0	1	1.2500
1	1	0	0	0	0	1.2625
1	0	1	1	1	1	1.2750
1	0	1	1	1	0	1.2875
1	0	1	1	0	1	1.3000
1	0	1	1	0	0	1.3125
1	0	1	0	1	1	1.3250
1	0	1	0	1	0	1.3375
1	0	1	0	0	1	1.3500

(1) $\overline{\text{NCPU1}}$ and $\overline{\text{NCPU2}}$ outputs go low.

DETAILED DESCRIPTION (continued)

Table 1. Voltage Identification (VID) (continued)

PROCESSOR PINS (0=LOW, 1=HIGH)						V _{REF} (V)
VID4	VID3	VID2	VID1	VID0	VID5	
1	0	1	0	0	0	1.3625
1	0	0	1	1	1	1.3750
1	0	0	1	1	0	1.3875
1	0	0	1	0	1	1.4000
1	0	0	1	0	0	1.4125
1	0	0	0	1	1	1.4250
1	0	0	0	1	0	1.4375
1	0	0	0	0	1	1.4500
1	0	0	0	0	0	1.4625
0	1	1	1	1	1	1.4750
0	1	1	1	1	0	1.4875
0	1	1	1	0	1	1.5000
0	1	1	1	0	0	1.5125
0	1	1	0	1	1	1.5250
0	1	1	0	1	0	1.5375
0	1	1	0	0	1	1.5500
0	1	1	0	0	0	1.5625
0	1	0	1	1	1	1.5750
0	1	0	1	1	0	1.5875
0	1	0	1	0	1	1.6000

APPLICATION INFORMATION

Typical application circuit for TPS40120 and TPS40090 combination is presented on the front page. Normally, the TPS40120 accepts power from the BP5 pin of the TPS40090 multiphase controller which simplifies its enable/disable control. The upper resistor of the programmable divider (pin 8) is connected to the output of the differential amplifier DIFFO. The center tap of the divider (pin 9) is connected to the joint point of the FB pin of the multi-phase controller and error amplifier compensation network. TPS40120 has two logic $\overline{\text{NCPU}}_x$ outputs that can be used to control output and the gate drivers in a multi-phase power supply when no-CPU code is asserted. The $\overline{\text{NCPU}}_1$ output is an open drain that can be useful by discharging the soft-start capacitor and bringing the output voltage down. The push-pull $\overline{\text{NCPU}}_2$ output can be used to control gate drivers to provide high impedance of the power supply output in off state.

The application circuit for a four-phase 105-A CPU VRM10.x compliant power supply is shown in Figure 3.

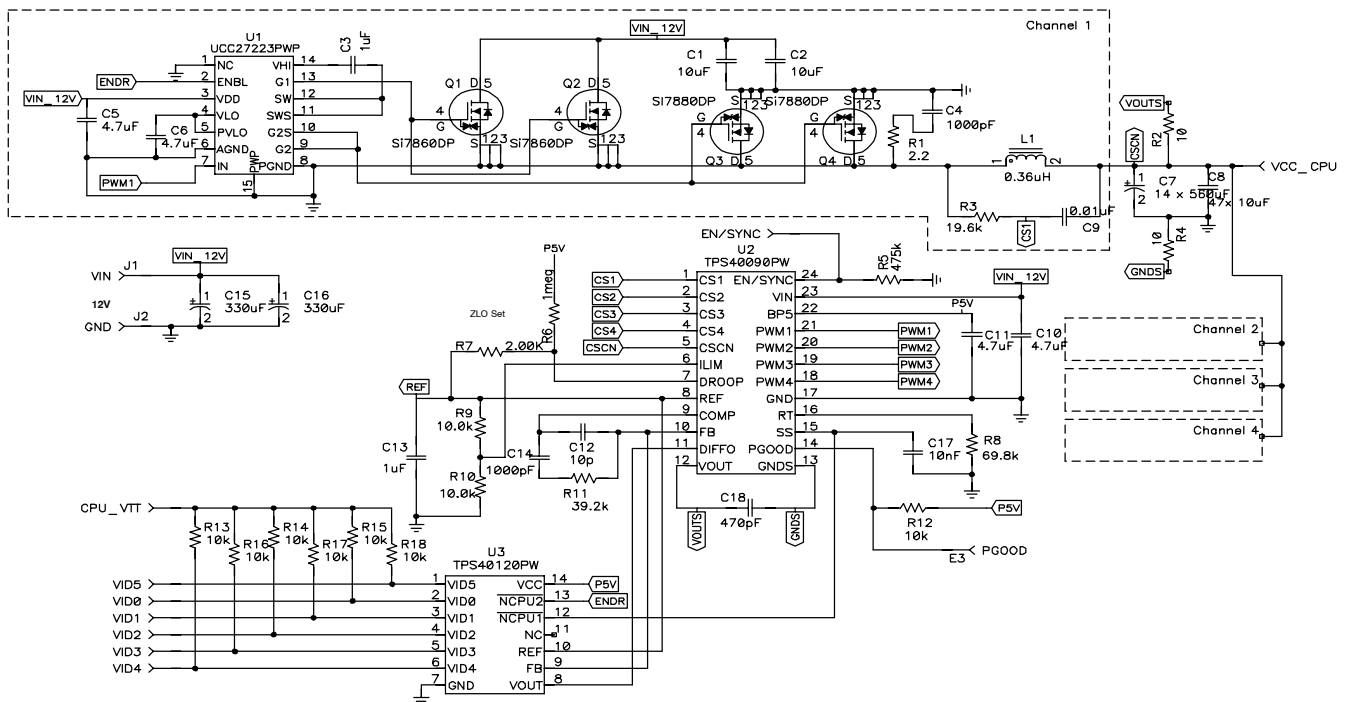


Figure 3. VRM 10.x Compliant CPU Power Supply

For detailed information on TPS40090 multiphase controller and design example request the TPS4009x datasheet (SLUS578) and the user's guide (SLUU026).

PACKAGING INFORMATION

Orderable Device	Status ⁽¹⁾	Package Type	Package Drawing	Pins	Package Qty	Eco Plan ⁽²⁾	Lead/Ball Finish	MSL Peak Temp ⁽³⁾
TPS40120PW	ACTIVE	TSSOP	PW	14	90	Green (RoHS & no Sb/Br)	CU NIPDAU	Level-1-260C-UNLIM
TPS40120PWG4	ACTIVE	TSSOP	PW	14	90	Green (RoHS & no Sb/Br)	CU NIPDAU	Level-1-260C-UNLIM
TPS40120PWR	ACTIVE	TSSOP	PW	14	2000	Green (RoHS & no Sb/Br)	CU NIPDAU	Level-1-260C-UNLIM
TPS40120PWRG4	ACTIVE	TSSOP	PW	14	2000	Green (RoHS & no Sb/Br)	CU NIPDAU	Level-1-260C-UNLIM

⁽¹⁾ The marketing status values are defined as follows:

ACTIVE: Product device recommended for new designs.

LIFEBUY: TI has announced that the device will be discontinued, and a lifetime-buy period is in effect.

NRND: Not recommended for new designs. Device is in production to support existing customers, but TI does not recommend using this part in a new design.

PREVIEW: Device has been announced but is not in production. Samples may or may not be available.

OBSOLETE: TI has discontinued the production of the device.

⁽²⁾ Eco Plan - The planned eco-friendly classification: Pb-Free (RoHS), Pb-Free (RoHS Exempt), or Green (RoHS & no Sb/Br) - please check <http://www.ti.com/productcontent> for the latest availability information and additional product content details.

TBD: The Pb-Free/Green conversion plan has not been defined.

Pb-Free (RoHS): TI's terms "Lead-Free" or "Pb-Free" mean semiconductor products that are compatible with the current RoHS requirements for all 6 substances, including the requirement that lead not exceed 0.1% by weight in homogeneous materials. Where designed to be soldered at high temperatures, TI Pb-Free products are suitable for use in specified lead-free processes.

Pb-Free (RoHS Exempt): This component has a RoHS exemption for either 1) lead-based flip-chip solder bumps used between the die and package, or 2) lead-based die adhesive used between the die and leadframe. The component is otherwise considered Pb-Free (RoHS compatible) as defined above.

Green (RoHS & no Sb/Br): TI defines "Green" to mean Pb-Free (RoHS compatible), and free of Bromine (Br) and Antimony (Sb) based flame retardants (Br or Sb do not exceed 0.1% by weight in homogeneous material)

⁽³⁾ MSL, Peak Temp. -- The Moisture Sensitivity Level rating according to the JEDEC industry standard classifications, and peak solder temperature.

Important Information and Disclaimer:The information provided on this page represents TI's knowledge and belief as of the date that it is provided. TI bases its knowledge and belief on information provided by third parties, and makes no representation or warranty as to the accuracy of such information. Efforts are underway to better integrate information from third parties. TI has taken and continues to take reasonable steps to provide representative and accurate information but may not have conducted destructive testing or chemical analysis on incoming materials and chemicals. TI and TI suppliers consider certain information to be proprietary, and thus CAS numbers and other limited information may not be available for release.

In no event shall TI's liability arising out of such information exceed the total purchase price of the TI part(s) at issue in this document sold by TI to Customer on an annual basis.

TAPE AND REEL INFORMATION



QUADRANT ASSIGNMENTS FOR PIN 1 ORIENTATION IN TAPE



*All dimensions are nominal

Device	Package Type	Package Drawing	Pins	SPQ	Reel Diameter (mm)	Reel Width W1 (mm)	A0 (mm)	B0 (mm)	K0 (mm)	P1 (mm)	W (mm)	Pin1 Quadrant
TPS40120PWR	TSSOP	PW	14	2000	330.0	12.4	7.0	5.6	1.6	8.0	12.0	Q1

TAPE AND REEL BOX DIMENSIONS



*All dimensions are nominal

Device	Package Type	Package Drawing	Pins	SPQ	Length (mm)	Width (mm)	Height (mm)
TPS40120PWR	TSSOP	PW	14	2000	346.0	346.0	29.0

PW (R-PDSO-G**)

PLASTIC SMALL-OUTLINE PACKAGE

14 PINS SHOWN



4040064/F 01/97

- NOTES: A. All linear dimensions are in millimeters.
 B. This drawing is subject to change without notice.
 C. Body dimensions do not include mold flash or protrusion not to exceed 0,15.
 D. Falls within JEDEC MO-153

IMPORTANT NOTICE

Texas Instruments Incorporated and its subsidiaries (TI) reserve the right to make corrections, modifications, enhancements, improvements, and other changes to its products and services at any time and to discontinue any product or service without notice. Customers should obtain the latest relevant information before placing orders and should verify that such information is current and complete. All products are sold subject to TI's terms and conditions of sale supplied at the time of order acknowledgment.

TI warrants performance of its hardware products to the specifications applicable at the time of sale in accordance with TI's standard warranty. Testing and other quality control techniques are used to the extent TI deems necessary to support this warranty. Except where mandated by government requirements, testing of all parameters of each product is not necessarily performed.

TI assumes no liability for applications assistance or customer product design. Customers are responsible for their products and applications using TI components. To minimize the risks associated with customer products and applications, customers should provide adequate design and operating safeguards.

TI does not warrant or represent that any license, either express or implied, is granted under any TI patent right, copyright, mask work right, or other TI intellectual property right relating to any combination, machine, or process in which TI products or services are used. Information published by TI regarding third-party products or services does not constitute a license from TI to use such products or services or a warranty or endorsement thereof. Use of such information may require a license from a third party under the patents or other intellectual property of the third party, or a license from TI under the patents or other intellectual property of TI.

Reproduction of TI information in TI data books or data sheets is permissible only if reproduction is without alteration and is accompanied by all associated warranties, conditions, limitations, and notices. Reproduction of this information with alteration is an unfair and deceptive business practice. TI is not responsible or liable for such altered documentation. Information of third parties may be subject to additional restrictions.

Resale of TI products or services with statements different from or beyond the parameters stated by TI for that product or service voids all express and any implied warranties for the associated TI product or service and is an unfair and deceptive business practice. TI is not responsible or liable for any such statements.

TI products are not authorized for use in safety-critical applications (such as life support) where a failure of the TI product would reasonably be expected to cause severe personal injury or death, unless officers of the parties have executed an agreement specifically governing such use. Buyers represent that they have all necessary expertise in the safety and regulatory ramifications of their applications, and acknowledge and agree that they are solely responsible for all legal, regulatory and safety-related requirements concerning their products and any use of TI products in such safety-critical applications, notwithstanding any applications-related information or support that may be provided by TI. Further, Buyers must fully indemnify TI and its representatives against any damages arising out of the use of TI products in such safety-critical applications.

TI products are neither designed nor intended for use in military/aerospace applications or environments unless the TI products are specifically designated by TI as military-grade or "enhanced plastic." Only products designated by TI as military-grade meet military specifications. Buyers acknowledge and agree that any such use of TI products which TI has not designated as military-grade is solely at the Buyer's risk, and that they are solely responsible for compliance with all legal and regulatory requirements in connection with such use.

TI products are neither designed nor intended for use in automotive applications or environments unless the specific TI products are designated by TI as compliant with ISO/TS 16949 requirements. Buyers acknowledge and agree that, if they use any non-designated products in automotive applications, TI will not be responsible for any failure to meet such requirements.

Following are URLs where you can obtain information on other Texas Instruments products and application solutions:

Products

Amplifiers	amplifier.ti.com
Data Converters	dataconverter.ti.com
DSP	dsp.ti.com
Clocks and Timers	www.ti.com/clocks
Interface	interface.ti.com
Logic	logic.ti.com
Power Mgmt	power.ti.com
Microcontrollers	microcontroller.ti.com
RFID	www.ti-rfid.com
RF/IF and ZigBee® Solutions	www.ti.com/lprf

Applications

Audio	www.ti.com/audio
Automotive	www.ti.com/automotive
Broadband	www.ti.com/broadband
Digital Control	www.ti.com/digitalcontrol
Medical	www.ti.com/medical
Military	www.ti.com/military
Optical Networking	www.ti.com/opticalnetwork
Security	www.ti.com/security
Telephony	www.ti.com/telephony
Video & Imaging	www.ti.com/video
Wireless	www.ti.com/wireless

Mailing Address: Texas Instruments, Post Office Box 655303, Dallas, Texas 75265
Copyright © 2008, Texas Instruments Incorporated